

Nominal data

Type	6424 TD	
Nominal voltage	VDC	24
Nominal voltage range	VDC	16 .. 28
Speed	min ⁻¹	5100
Power input	W	50
Min. ambient temperature	°C	-20
Max. ambient temperature	°C	60
Air flow	m ³ /h	600
Sound power level	B	7.4
Sound pressure level	dB(A)	65

ml = Max. load · me = Max. efficiency · fa = Running at free air · cs = Customer specs · cu = Customer unit
Subject to alterations

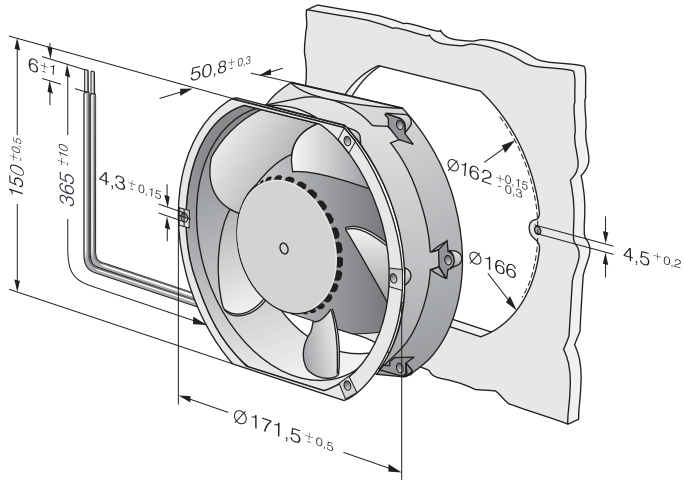
Technical features

General description	3-phase fan drive with very smooth operation and high efficiency Housing with earthing lug for bolt M4 x 8 (Torx) Free air power consumption, these values may be considerably higher at the operating point.
Mass	0.760 kg
Dimensions	172 x 150 x 51 mm
Material of impeller	Fibreglass-reinforced plastic (PA)
Housing material	Die-cast aluminium
Direction of air flow	Air exhaust over bars
Direction of rotation	Left, looking at rotor
Bearing	Ball bearings
Lifetime L10 at 40 °C	70000 h
Lifetime L10 at maximum temperature	45000 h
Connection line	Via single strands AWG 18, 20 or AWG 22, TR 64, speed signal and control input AWG 22
Motor protection	Protected against reverse polarity and locking.
Approval	VDE, CSA, UL

6424 TD

DC axial compact fan

Product drawing



Charts: Air flow

